

Plug-in sockets and accessories

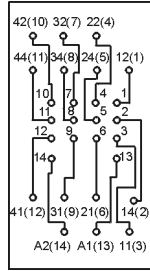
GZ14Z

For R15 - 4 CO

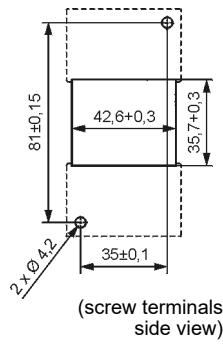
Screw terminals
 Max. tightening moment
 for the terminal: 0,7 Nm
On panel mounting, behind
 92,2 x 46 x 23 mm
 Four poles
 10 A, 250 V AC



Connection diagram

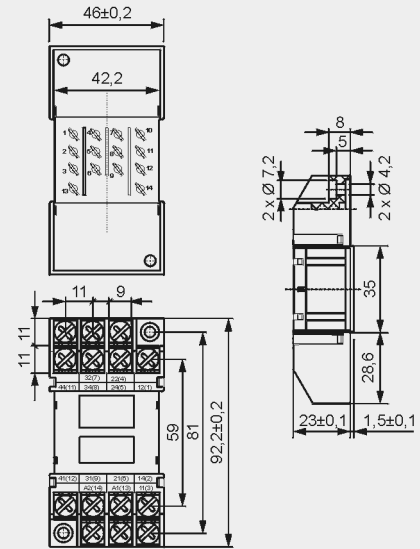


Mounting dimensions



GZ14 0737

Dimensions

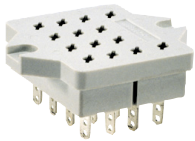


Accessories

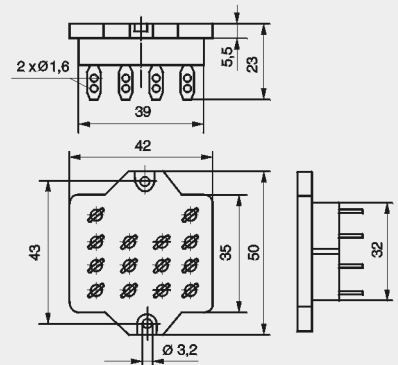
GOP14

For R15 - 4 CO

Solder terminals
 50 x 42 x 23 mm
 Four poles
 10 A, 250 V AC



Dimensions



Accessories



R15 0736



R15 5922